

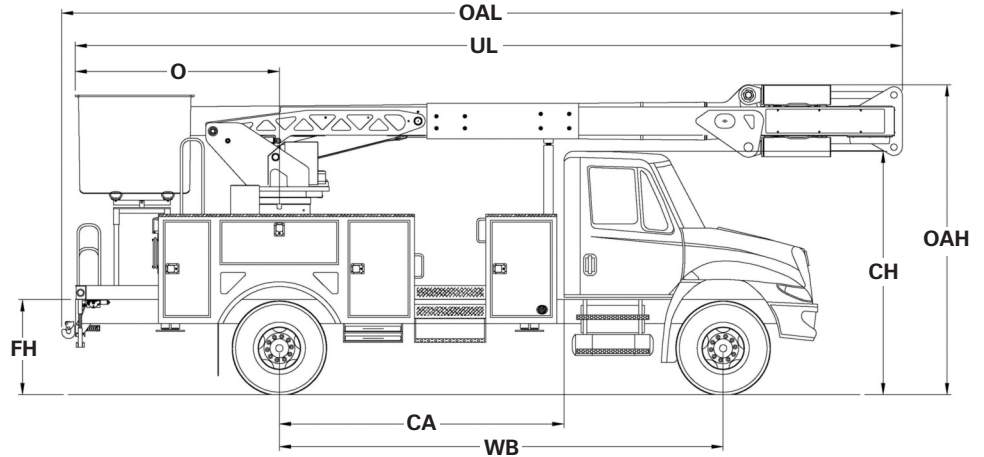


TEREX®

SCM SERIES Hi-Ranger Overcenter Material Handling Aerial Device

AERIAL DEVICES

Terex® Hi-Ranger Aerial Devices are known throughout the industry. They come with a long history featuring quality and innovative design.



| Measurements | SCM55 |
|------------------------------------|------------------------|
| | ORA |
| Typical Frame Height (FH) | 40 in. (101.6 cm) |
| Typical Cab Height (CH) | 108 in. (274.3 cm) |
| Offset (O) | 86 in. (218.4 cm) |
| Overall Height (OAH) | 10' 11" (3.3 m) |
| Overall Length (OAL) | 29' 7" (9.0 m) |
| Unit Length (UL) | 29' 1" (8.9 m) |
| Center of Rotation (H) | - |
| Cab to Axle (CA) | 120 in. (304.8 cm) |
| Wheel Base (WB) | 188 in. (447.5 cm) |
| Front Axle (FA) | 12,000 lb. (5,443 kg) |
| Rear Axle (RA) | 19,000 lb. (8,618 kg) |
| Gross Vehicle Weight Rating (GVWR) | 31,000 lb. (14,061 kg) |
| Recommended Weight for Stability | 26,000 lb. (11,793 kg) |
| Frame Section Modulus | 18.0 in ³ |
| Frame Yield Strength | 50,000 psi |
| Frame RBM | 900,000 in-lbs |



TEREX®

500 Oakwood Drive
PO BOX 1150
Watertown, SD 57201-6150
USA

Phone: (605) 882-4000
Facsimile: (605) 882-1842
www.terexutilities.com
E-mail: utilities.info@terex.com

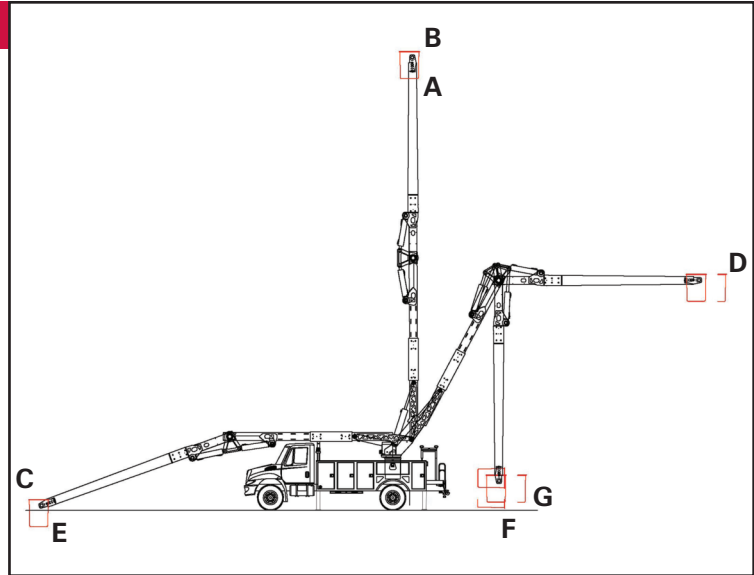
Distributed By:

SCM SERIES

Hi-Ranger Overcenter, Material Handling Aerial Device

STANDARD EQUIPMENT

- Side Mount 24" x 30" x 42" One-Person Platform
- Platform Capacity up to 700 lbs. (317.5 kg)
- Control-Plus "3-D" Single Stick Control at Platform
- Safety Harness With Attached Lanyard
- Continuous Unrestricted Worm Gear Rotation
- Category "C" Rating Per ANSI A92.2
- Rectangular, Bi-Axial Epoxy Resin, Filament Wound Fiberglass Booms
- Individual Lever Lower Controls
- Hydraulic Platform Rotator
- Hydraulic Platform Tilt at Upper and Lower Controls
- Hydraulic Lower, Mechanical Upper Platform Leveling
- Two Speed Throttle Control at Upper Controls
- Engine Start/Stop
- 200° of Upper Boom Articulation
- 110° of Lower Boom Articulation
- Non-Compensated Boom Design
- Full Pressure, Open-Center Hydraulic System
- 35 Gallon Hydraulic Oil Reservoir
- Padded Boom Rest with Upper Boom Tie Down
- Outrigger Interlock
- Moving Outrigger Alarm
- Truck Level Indicator



CAPACITIES & DIMENSIONAL DATA (Based on a 40 Inch Frame Height)

| | A | B | C | D | | | E | F | | |
|-------|---------------------|---------------------|-----------------------|-----------------------------------|-----------------------------------|-----------------------------------|--|--|--|--|
| | Bottom of Platform | Working Height | Overcenter Side Reach | Non-Overcenter Side Reach at 100° | Non-Overcenter Side Reach at 110° | Non-Overcenter Side Reach at 120° | Bottom of Platform Below Ground Overcenter | Rotated Platform Lip to Ground at 100° | Rotated Platform Lip to Ground at 110° | Rotated Platform Lip to Ground at 120° |
| SCM55 | 55.0 ft (16.8 m) | 60.0 ft (18.3 m) | 46.1 ft. (14.1 m) | 35.7 ft. (10.9 m) | 39.5 ft. (12.0 m) | 43.1 ft. (13.1 m) | -24.8 in. (-63 cm) | 28.1 in. (71.4 cm) | 15.1 in. (38.4 cm) | -5.7 in. (-14.5 cm) |

| | G | |
|-------|--------------------------------------|--------------------------------------|
| | Bottom of Platform to Ground at 110° | Bottom of Platform to Ground at 120° |
| SCM55 | 25.1 in. (63.8 cm) | 4.3 in. (10.9 cm) |

OPTIONAL EQUIPMENT

- Two Person Side Mount Platform
- Various Platform Covers
- Liners With or Without Steps
- 24" Platform Lifter
- Jib Options
 - Hydraulic Articulating Jib/Winch, Side Mt. 2000 lbs.
 - Single Wire/46 Kv Insulated
 - Single Wire/15 Kv Insulated
- Single Line Lifter / Multi-Phase Attachments
- Category "B" Rating per ANSI A92.2
- 120° Optional Lower Boom Articulation
- Lower Boom Lifting Eye
- Automatic Upper Boom Latch
- Hydraulic Lifts: 13 ft., 15 ft.
- Hydraulic Tool Outlets
- Auxiliary Power
- Auxiliary Let Down System
- Demand Throttle
- Boom Overstow Protection
- Boom/Boom Stow Interlock
- Boom Storage Warning Light
- Outrigger Out-of-Stow Light
- Various Types of Outriggers
- Truck Grounding Cable & Clamp
- Hybrid Enable
- HyPower™ Hybrid System by Terex®

Effective Date: October 2014. Product specifications and prices are subject to change without notice or obligation. The photographs and/or drawings in this document are for illustrative purposes only. Refer to the appropriate Operator's Manual for instructions on the proper use of this equipment. Failure to follow the appropriate Operator's Manual when using our equipment or to otherwise act irresponsibly may result in serious injury or death. The only warranty applicable to our equipment is the standard written warranty applicable to the particular product and sale and Terex makes no other warranty, express or implied. Products and services listed may be trademarks, service marks or trade-names of Terex Corporation and/or its subsidiaries in the USA and other countries. All rights are reserved. Terex® is a registered trademark of Terex Corporation in the USA and many other countries. Copyright 2014 Terex Corporation.