

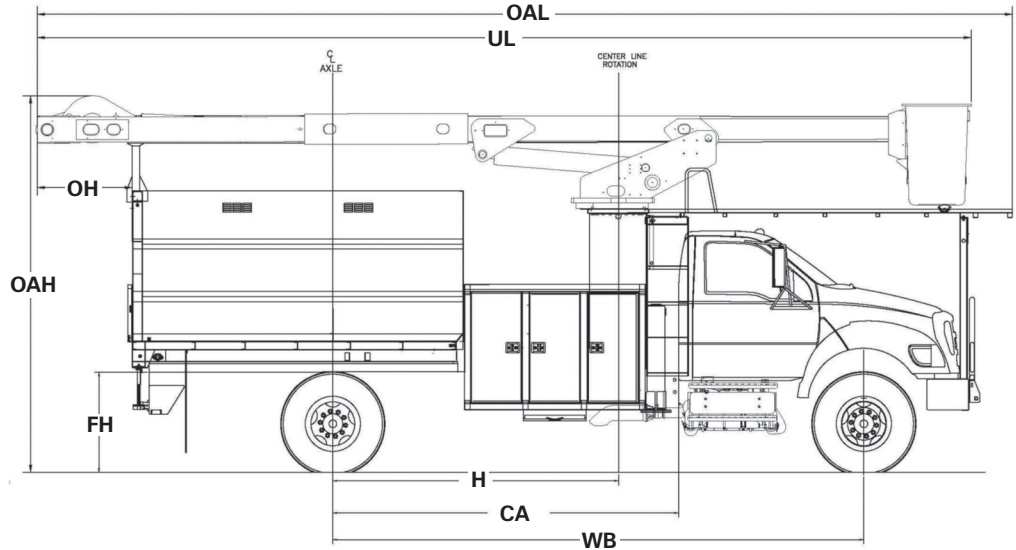


TEREX®

XT PRO SERIES Overcenter Aerial Device For Tree Trimming

AERIAL DEVICES

Terex® Aerial Devices are known throughout the industry. They come with a long history featuring quality and innovative design.



Measurements	XT PRO 56	XT PRO 60	XT PRO 60/70
	BC	BC	BC
Typical Frame Height (FH)	40 in. (101.6 cm)	40 in. (101.6 cm)	40 in. (101.6 cm)
Typical Cab Height (CH)	108 in. (274.3 cm)	108 in. (274.3 cm)	108 in. (274.3 cm)
Offset (O)	94.8 in. (240.8 cm)	106.8 in. (271.3 cm)	140.8 in. (357.6 cm)
Overall Height (OAH)	12' 6" (3.8 m)	12' 6" (3.8 m)	12' 6" (3.8 m)
Overall Length (OAL)	30' 4" (9.2 m)	32' 5" (9.9 m)	32' 5" (9.9 m)
Unit Length (UL)	27' 8" (9.0 m)	31' 1" (9.5 m)	31' 1" (9.5 m)
Overhang Length (OH)	3' 11" (1.2 m)	3' 2" (1.0 m)	3' 2" (1.0 m)
Center of Rotation (H)	96.0 in. (244.6 cm)	114.0 in. (290.0 cm)	114.0 in. (290.0 cm)
Cab to Axle (CA)	120 in. (304.8 cm)	138 in. (350.5 cm)	138 in. (350.5 cm)
Wheel Base (WB)	192 in. (487.7 cm)	210 in. (533.4 cm)	210 in. (533.4 cm)
Front Axle (FA)	9,000 lb. (4,082 kg)	10,500 lb. (4,763 kg)	13,000 lb. (5,897 kg)
Rear Axle (RA)	17,000 lb. (7,711 kg)	17,000 lb. (7,711 kg)	19,000 lb. (8,618 kg)
Gross Vehicle Weight Rating (GVWR)	26,000 lb. (11,793 kg)	27,500 lb. (12,474 kg)	33,000 lb. (14,969 kg)
Recommended Weight for Stability	19,000 lb. (8,618 kg)	21,000 lb. (9,525 kg)	21,000 lb. (9,525 kg)
Frame Section Modulus	18.0 in ³	18.0 in ³	18.0 in ³
Frame Yield Strength	50,000 psi	50,000 psi	50,000 psi
Frame RBM	900,000 in-lbs	900,000 in-lbs	900,000 in-lbs



TEREX®

500 Oakwood Drive
PO BOX 1150
Watertown, SD 57201-6150
USA

Phone: (605) 882-4000
Facsimile: (605) 882-1842
www.terexutilities.com
E-mail: utilities.info@terex.com

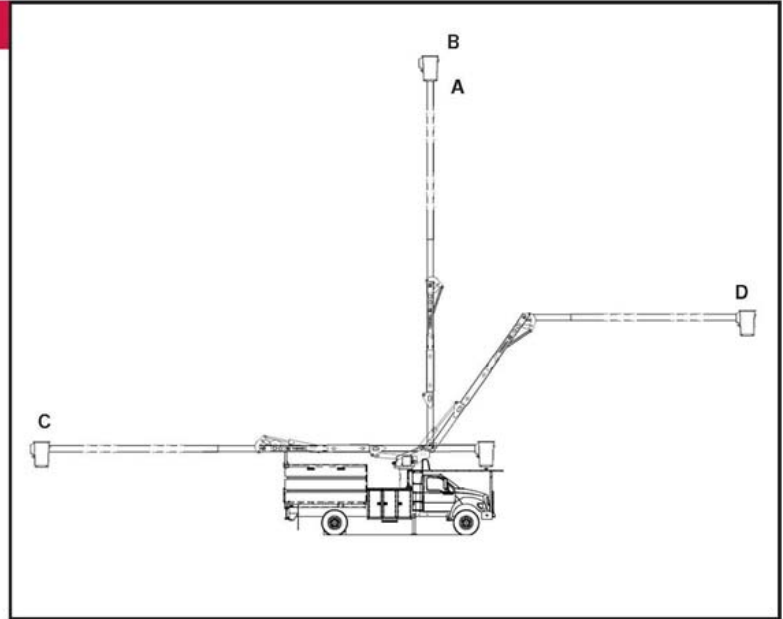
Distributed By:

XT PRO SERIES

Overcenter Aerial Device For Tree Trimming

STANDARD EQUIPMENT

- Side Mounted 24" x 24" x 40" One Person Platform
- Platform Capacity of up to 400 lbs. (181 Kg)
- Control-Plus "3-D" Single Stick at Platform
- Safety Harness With Attached Lanyard
- Continuous Unrestricted Worm Gear Rotation
- Category "C" Rating Per ANSI A92.2
- Rectangular, Bi-Axial Epoxy Resin, Filament Wound Fiberglass Booms
- Individual Lever Lower Controls
- Mechanical Platform Leveling
- Full Pressure, Open-Center Hydraulic System
- 33 Gallon Hydraulic Oil Reservoir
- Padded Boom Rests with Upper Boom Tie Down
- Boom / Outrigger Interlock
- Moving Outrigger Alarm
- Truck Level Indicator
- 10-Year Leveling Chain
- Dual Hydraulic Tool Outlet at Boom Tip
- Manual Platform Tilt
- Finish Painted



CAPACITIES & DIMENSIONAL DATA (Based on a 40 Inch Frame Height)

	A Bottom of Platform Height	B Working Height	C Overcenter Side Reach	D Non-Overcenter Side Reach	E Upper Boom Articulation	F Lower Boom Articulation
XT PRO 56	56.0 ft (17.0 m)	61.0 ft (18.6 m)	45.6 ft (13.9 m)	41.5 ft (12.6 m)	250°	125°
XT PRO 60	60.0 ft (18.3 m)	65.0 ft (19.8 m)	49.9 ft (15.2 m)	45.0 ft (13.7 m)	250°	125°
XT PRO 60/70*	70.0 ft (21.3 m)	75.0 ft (22.9 m)	49.9 ft (15.2 m)	45.0 ft (13.7 m)	250°	125°

* Includes Optional 10' Longitudinal Elevator

OPTIONAL EQUIPMENT

- Liner With or Without Steps
- Start/Stop
- 2-Speed
- Auxiliary Let Down System
- 10' Longitudinal Elevator for Forestry Units

Effective Date: August 2016. Product specifications and prices are subject to change without notice or obligation. The photographs and/or drawings in this document are for illustrative purposes only. Refer to the appropriate Operator's Manual for instructions on the proper use of this equipment. Failure to follow the appropriate Operator's Manual when using our equipment or to otherwise act irresponsibly may result in serious injury or death. The only warranty applicable to our equipment is the standard written warranty applicable to the particular product and sale and Terex makes no other warranty, express or implied. Products and services listed may be trademarks, service marks or trade-names of Terex Corporation and/or its subsidiaries in the USA and other countries. All rights are reserved. Terex® is a registered trademark of Terex Corporation in the USA and many other countries. Copyright 2010 Terex Corporation.