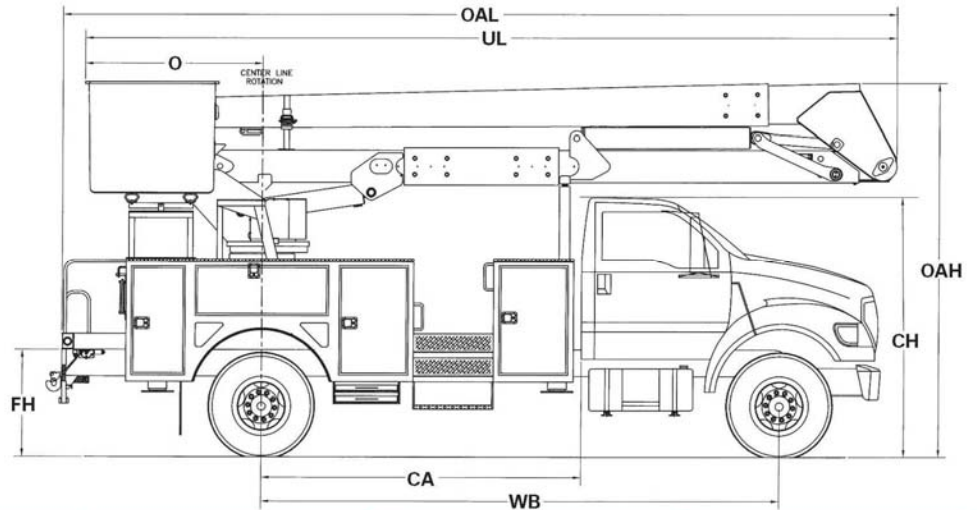


HR46 AERIAL DEVICE

Hi-Ranger Overcenter Material Handling Aerial Device

AERIAL DEVICES

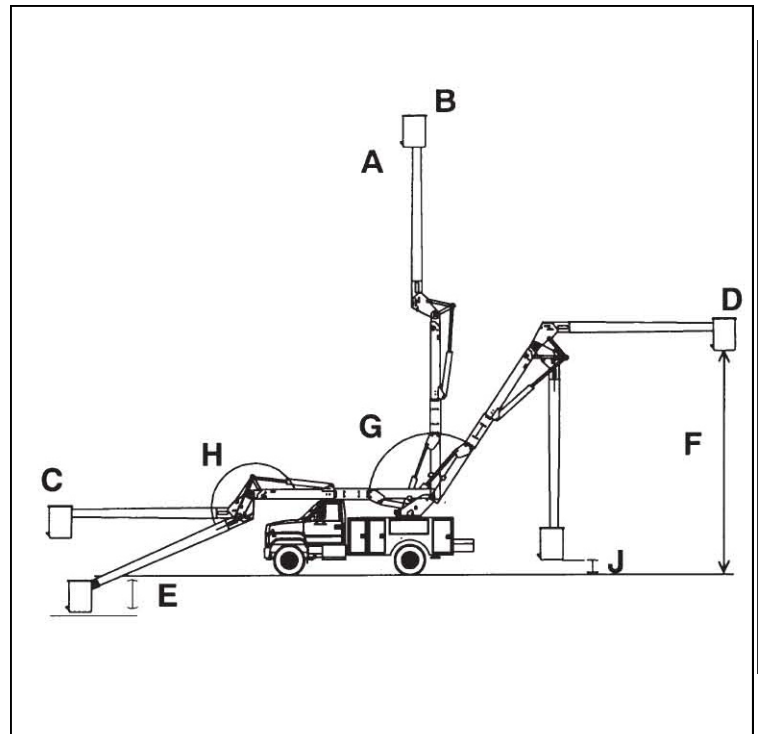
Terex® Hi-Ranger Aerial Devices are known throughout the industry. They come with a long history featuring quality and innovative design .



MEASUREMENTS	HR46
	ORA
Typical Frame Height (FH)	40 in. (101.6 cm)
Typical Cab Height (CH)	108 in. (274.3 cm)
Offset (O)	50 in. (127 cm)
Overall Height (OAH)	11' 3" (3.4 m)
Overall Length (OAL)	24' 2" (7.4 m)
Unit Length (UL)	21' 11" (6.7 m)
Center of Rotation (H)	-
Cab to Axle (CA)	108 in. (274.3 cm)
Wheel Base (WB)	177 in. (449.6 cm)
Front Axle (FA)	9,000 lb. (4,082 kg)
Rear Axle (RA)	17,000 lb. (7,711 kg)
Gross Vehicle Weight Rating (GVWR)	26,000 lb. (11,793 kg)
Recommended Weight for Stability (With Torsion Bars)	15,000 lb. (6,804 kg)
Frame Section Modulus	18.0 in ³
Frame Yield Strength	50,000 psi
Frame RBM	900,000 in-lbs

STANDARD EQUIPMENT

- Side Mounted 24" x 30" x 42" One-Person Platform
- Platform Capacity of up to 600 lbs. (272.2 Kg)
- Control-Plus "3-D" Single Stick at Platform
- Safety Harness With Attached Lanyard
- Continuous Unrestricted Worm Gear Rotation
- Category "C" Rating Per ANSI A92.2
- Rectangular, Bi-Axial Epoxy Resin, Filament Wound Fiberglass Booms
- Hydraulic Tool Outlet
- Engine Stop / Start
- Individual Lever Lower Controls
- Hydraulic Platform Rotator
- Hydraulic Platform Tilt at Upper and Lower Controls
- Hydraulic Lower, Mechanical Upper Platform Leveling System
- Two Speed Throttle Control at Upper Controls
- Full Pressure, Open-Center Hydraulic System
- 35 Gallon Hydraulic Oil Reservoir
- Padded Boom Rests with Upper Boom Tie Down
- Boom Interlock
- Moving Outrigger Alarm
- Truck Level Indicator



CAPACITIES AND DIMENSIONAL DATA (Based on a 40 Inch Frame Height)

	Bottom of Platform Height (A)	Working Height (B)	Side Reach (C)	Lower Boom Full Up Upper Boom 0° (D)	Bottom of Platform to Ground Level (E)	Bottom of Platform to Ground (F)	Bottom of Platform to Ground (J)	Lower Boom Articulation (G)	Upper Boom Articulation (H)
HR46	45.5 ft (13.9 m)	50.5 ft (15.4 m)	38.6 ft (11.8 m)	36.6 ft. (11.2 m)	25 in. (64 cm)	24.3 ft. (7.4 m)	23 in. (58.4 cm)	120°	193°

OPTIONAL EQUIPMENT

- Various Side Mount Platforms
- Various Platform Covers
- Liners With or Without Steps
- 24" Platform Lifter
- Jib Options
 - Hydraulic Jib Extension Systems
 - Hydraulic Articulating Jib/ Winch, Side Mt. 1500 lbs.
- Single Wire/46 Kv Insulated
- Single Wire/15Kv Insulated
- Single Line Lifter / Multi-Phase Attachments
- Category "B" Rating per ANSI A92.2
- Lower Boom Lifting Eye
- Automatic Boom Latch
- Auxiliary Power
- Auxiliary Let Down System
- Demand Throttle
- Boom Overstow Protection
- Boom/Boom Stow Interlock
- Boom Storage Warning Light
- Outrigger Sag Light
- Various Types of Outriggers
- Truck Grounding Cable & Clamp
- HyPower™ Hybrid System by Terex®

Effective Date: October 2018. Product specifications and prices are subject to change without notice or obligation. The photographs and/or drawings in this document are for illustrative purposes only. Refer to the appropriate Operator's Manual for instructions on the proper use of this equipment. Failure to follow the appropriate Operator's Manual when using our equipment or to otherwise act irresponsibly may result in serious injury or death. The only warranty applicable to our equipment is the standard written warranty applicable to the particular product and sale and Terex makes no other warranty, express or implied. Products and services listed may be trademarks, service marks or trade-names of Terex Corporation and/or its subsidiaries in the USA and other countries. All rights are reserved. Terex® is a registered trademark of Terex Corporation in the USA and many other countries. Copyright 2018 Terex Corporation.