



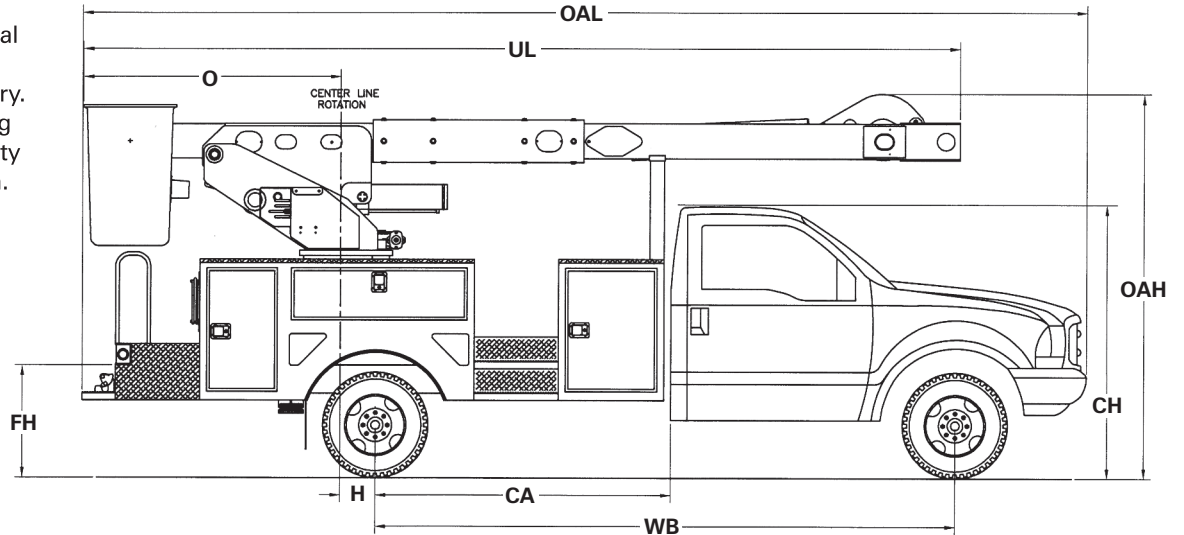
TEREX®

SC SERIES

Hi-Ranger Overcenter Aerial Device

AERIAL DEVICES

Terex® Hi-Ranger Aerial Devices are known throughout the industry. They come with a long history featuring quality and innovative design.



Measurements	SC42	SC45
	ORA	ORA
Typical Frame Height (FH)	34 in. (86.4 cm)	40 in. (101.6 cm)
Typical Cab Height (CH)	80 in. (203.2 cm)	80 in. (203.2 cm)
Offset (O)	73 in. (185.4 cm)	73 in. (185.4 cm)
Overall Height (OAH)	9' 4" (2.8 m)	9' 10" (3.0 m)
Overall Length (OAL)	21' 11" (6.7 m)	24' 3" (7.4 m)
Unit Length (UL)	20' 10" (7.0 m)	22' 4" (6.8 m)
Center of Rotation (H)	-10 in. (-25.4 cm)	42 in. (108 cm)
Cab to Axle (CA)	84 in. (213.4 cm)	102 in. (259.1 cm)
Wheel Base (WB)	165 in. (419.1 cm)	176 in. (447.0 cm)
Front Axle (FA)	6,000 lb. (2,722 kg)	8,000 lb. (3,629 kg)
Rear Axle (RA)	13,500 lb. (6,124 kg)	15,000 lb. (6,804 kg)
Gross Vehicle Weight Rating (GVWR)	19,000 lb. (8,618 kg)	23,000 lb. (10,433 kg)
Recommended Weight for Stability	14,500 lb. (6,577 kg)	16,500 lb. (7,484 kg)
Frame Section Modulus	18.1 in ³	18.1 in ³
Frame Yield Strength	36,000 psi	36,000 psi
Frame RBM	648,000 in-lbs	648,000 in-lbs



TEREX®

500 Oakwood Drive
PO BOX 1150
Watertown, SD 57201-6150
USA

Phone: (605) 882-4000
Facsimile: (605) 882-1842
www.terexutilities.com
E-mail: utilities.info@terex.com

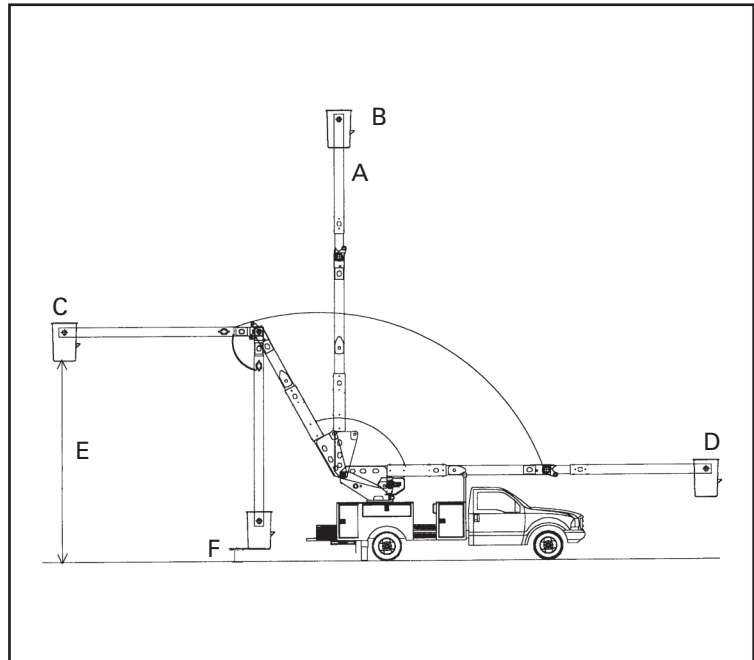
Distributed By:

SC SERIES

Hi-Ranger Overcenter Aerial Device

STANDARD EQUIPMENT

- Side Mount 24 x 30 x 42" One-Person Platform
- Platform Capacity up to 400 lbs. (181.4 kg)
- Control-Plus "3-D" Single Stick Control at Platform
- Safety Harness With Attached Lanyard
- Continuous Unrestricted Worm Gear Rotation
- Category "C" Rating Per ANSI A92.2
- Rectangular, Bi-Axial Epoxy Resin, Filament Wound Fiberglass Booms
- Individual Lever Lower Controls
- Mechanical Platform Leveling System
- Hydraulic Platform Rotator with Hydraulic Tilt
- Two Speed Throttle Control at Upper Controls
- Engine Start/Stop
- 250° of Upper Boom Articulation
- 120° of Lower Boom Articulation
- Full Pressure, Open-Center Hydraulic System
- 35 Gallon Hydraulic Oil Reservoir
- Padded Boom Rest with Upper Boom Tie Down
- Outrigger Interlock (If applicable)
- Moving Outrigger Alarm (If applicable)
- Truck Level Indicator



CAPACITIES & DIMENSIONAL DATA (Based on a 40 Inch Frame Height)

	A	B	C	D	E	F
	Bottom of Platform Height	Working Height	Side Reach	Side Reach Overcenter	Bottom of Platform to Ground Level	Bottom of Platform to Ground
SC-42	42.6 ft (12.8 m)	47.6 ft (14.5 m)	32.1 ft (9.6 m)	34.8 ft (10.6 m)	21.0 ft (6.4 m)	20 in. (51 cm)
SC-45	45.6 ft (13.9 m)	50.6 ft (15.4 m)	34.3 ft (10.5 m)	37.8 ft (11.5 m)	22.2 ft (6.7 m)	18 in. (46 cm)

OPTIONAL EQUIPMENT

- Various Platform Covers
- Liners With Or Without Steps
- Tru-Level™ Pedestal System
- Category "B" Rating Per ANSI A92.2
- Lower Boom Lifting Eye
- Automatic Boom Latch
- Hydraulic Tool Outlets
- Auxiliary Power
- Auxiliary Let Down System
- Demand Throttle ILO Two Speed
- Boom Overstow Protection
- Boom Stow Interlock
- Boom Storage Warning Light
- Outrigger Sag Light
- Various Types of Outriggers
- Truck Grounding Cable and Clamp
- Hybrid Enable
- HyPower™ Hybrid System by Terex®

Effective Date: August 2014. Product specifications and prices are subject to change without notice or obligation. The photographs and/or drawings in this document are for illustrative purposes only. Refer to the appropriate Operator's Manual for instructions on the proper use of this equipment. Failure to follow the appropriate Operator's Manual when using our equipment or to otherwise act irresponsibly may result in serious injury or death. The only warranty applicable to our equipment is the standard written warranty applicable to the particular product and sale and Terex makes no other warranty, express or implied. Products and services listed may be trademarks, service marks or trade-names of Terex Corporation and/or its subsidiaries in the USA and other countries. All rights are reserved. Terex® is a registered trademark of Terex Corporation in the USA and many other countries. Copyright 2014 Terex Corporation.