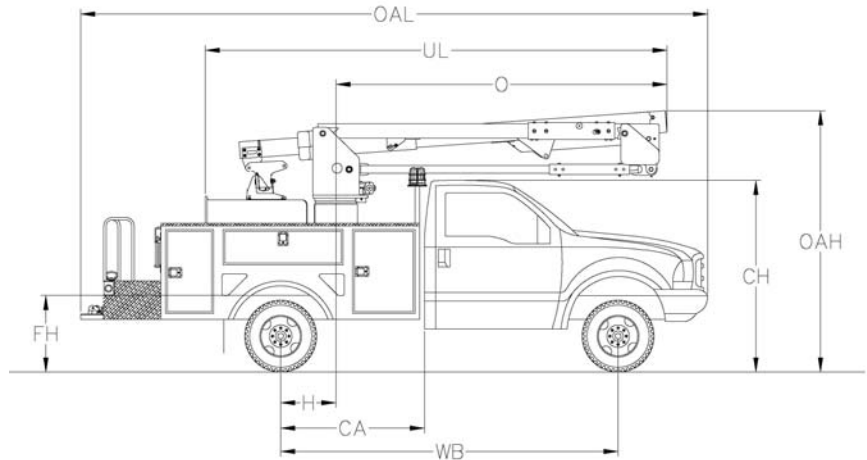


L13i AERIAL

Hi-Ranger Articulating, Telescopic Aerial Device

AERIAL DEVICES

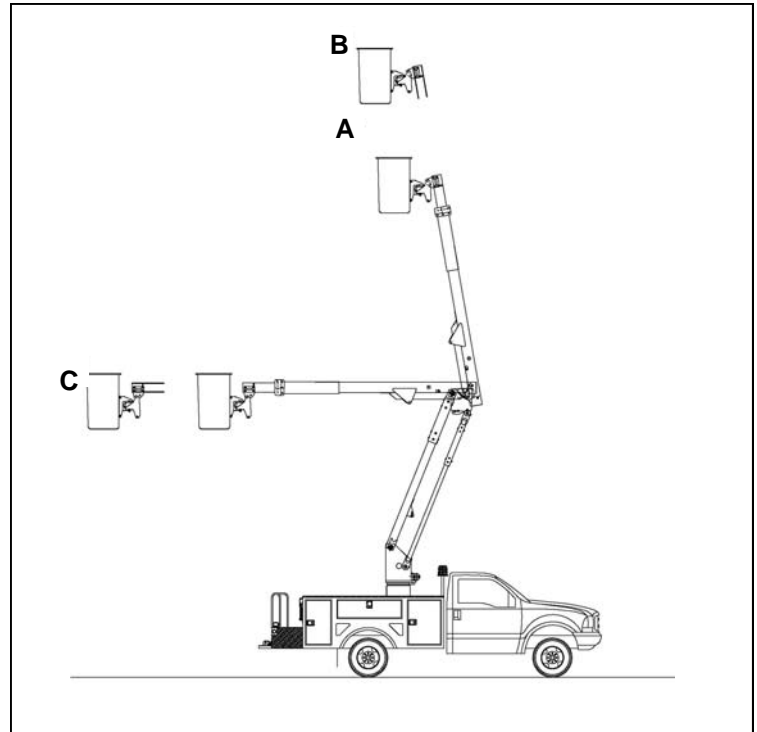
Terex® Hi-Ranger Aerial Devices are known throughout the industry. They come with a long history featuring quality and innovative design.



MEASUREMENTS		L13i
		BC
Typical Frame Height (FH)		81.3 cm (32 in.)
Typical Cab Height (CH)		198.1 cm (78 in.)
Offset (O)		350.5 cm (138 in.)
Overall Height (OAH)		2.8 m (9' 1")
Overall Length (OAL)		6.6 m (21' 9")
Unit Length (UL)		4.9 m (16' 0")
Center of Rotation (H)		58.4 cm (23 in.)
Cab to Axle (CA)		152.4 cm (60 in.)
Wheel Base (WB)		358.0 cm (141 in.)
Front Axle (FA)		1,588 kg (3,500 lb.)
Rear Axle (RA)		2,177 kg (4,800 lb.)
Gross Vehicle Weight Rating (GVWR)		3,493 kg (7,700 lb.)
Recommended Weight for Stability	(With Torsion Bars)	3,084 kg (6,800 lb.)
Frame Section Modulus		5.7 in ³
Frame Yield Strength		36,000 psi
Frame RBM		205,200 in-lbs

STANDARD EQUIPMENT

- End Mounted 61 cm x 61 cm x 107 cm (24 x 24 x 42") One Person Platform
- Platform Capacity of up to 200 Kg (440 lbs.)
- 4-Function Single Stick
- Safety Harness With Attached Lanyard
- Non-Continuous Worm Gear Rotation
- Category "C" Rating Per ANSI A92.2
- Full Pressure Controls on Side of Platform
- Electric Lower Controls
- Platform Tilt Control At Upper and Lower Controls
- Hydraulic Platform Leveling
- Steel Main Boom with Fiberglass Insert
- Fiberglass Second Section Boom
- Fiberglass Lift Boom Insert
- Lower Controls Above Rotation
- Full Pressure, Open-Center Hydraulic System
- Padded Boom Rest
- Boom Interlock (When outriggers are required for stability)
- Truck Level Indicator
- Finish Painted



CAPACITIES AND DIMENSIONAL DATA (Based on a 40 Inch Frame Height)

	Bottom of Platform Height (A)	Working Height (B)	Horizontal Reach (C)	Boom Travel	
				Lower Boom	Upper Boom
L13i	11.1 m (36.5 ft)	12.6 m (41.5 ft)	6.1 m (20.0 ft)	0° to 68°	-14° to 80°

OPTIONAL EQUIPMENT

- Optional End Mounted 24 x 48 x 42 Two-Person Platform
- Various Platform Covers
- Liners With or Without Steps
- 180° Platform Rotator
- Hydraulic Tool Outlets
- Engine Stop/Start
- Auxiliary Power
- Auxiliary Let Down System
- Boom Overstow Protection
- Boom/Boom Stow Interlock
- Outrigger Sag Light
- Various Types of Outriggers
 - Moving Outrigger Alarm
 - Boom Interlock
- Truck Grounding Cable & Clamp
- Hybrid Enable
- HyPowerä Hybrid System by Terex®

Effective Date: September 2018. Product specifications and prices are subject to change without notice or obligation. The photographs and/or drawings in this document are for illustrative purposes only. Refer to the appropriate Operator's Manual for instructions on the proper use of this equipment. Failure to follow the appropriate Operator's Manual when using our equipment or to otherwise act irresponsibly may result in serious injury or death. The only warranty applicable to our equipment is the standard written warranty applicable to the particular product and sale and Terex makes no other warranty, express or implied. Products and services listed may be trademarks, service marks or trade-names of Terex Corporation and/or its subsidiaries in the USA and other countries. All rights are reserved. Terex® is a registered trademark of Terex Corporation in the USA and many other countries. Copyright 2010 Terex Corporation.